
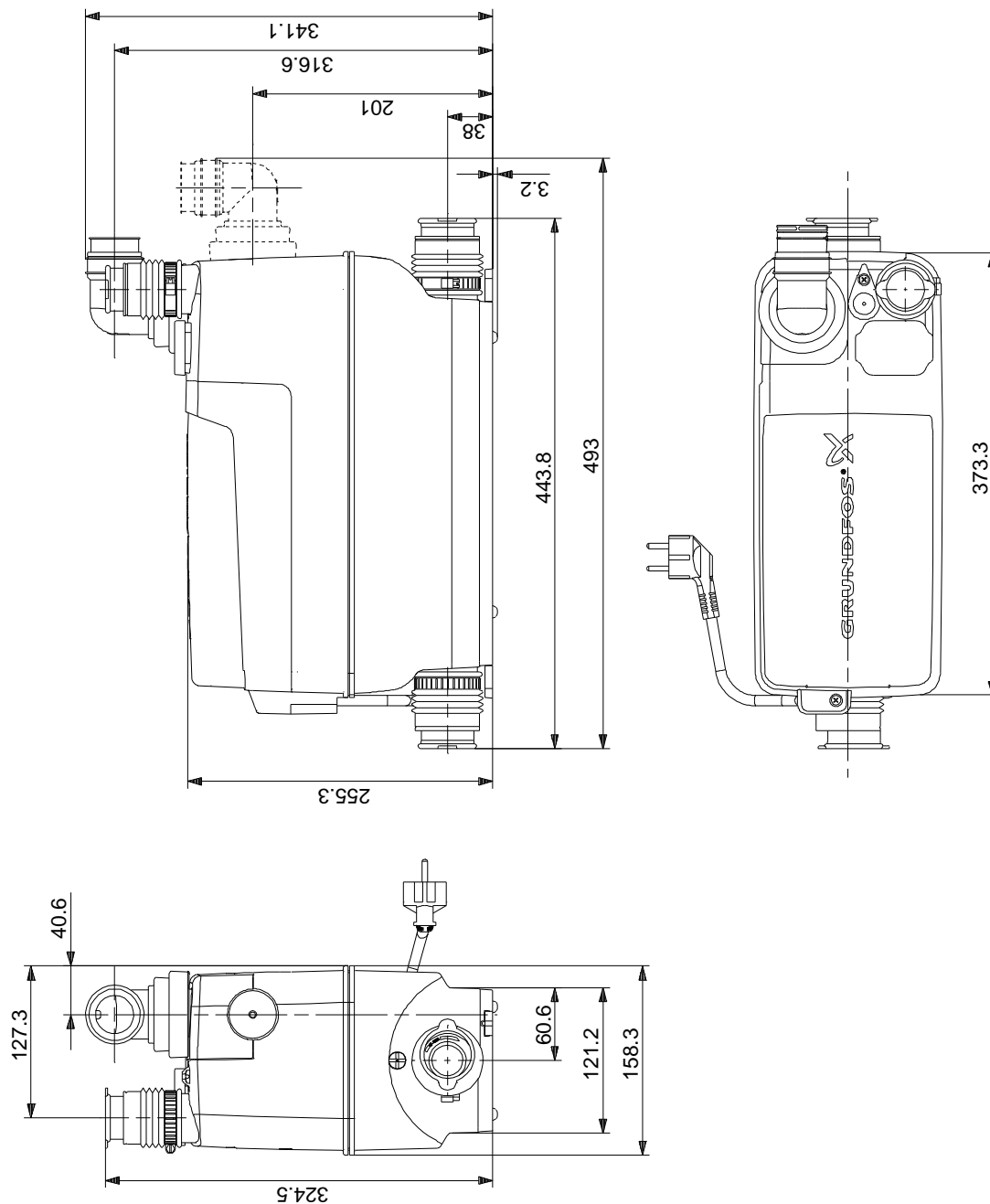


Pozicija	Kol.	Opis
	1	<p><b>SOLOLIFT2 C-3</b></p>  <p>Opozorilo! Slika proizvoda je simboli na</p> <p>Št. proizvoda: <a href="#">97775332</a></p> <p>Sololift2 C-3 is a small, compact automatic lifting station suitable for pumping of greywater (w/o faeces) off places in private dwellings where wastewater cannot be led directly to the sewer by means of a natural downward slope.</p> <p>Sololift2 C-3 is typically used for:</p> <ul style="list-style-type: none"><li>• cabinet showers, washbasins, bath tubs, washing machines (max. 90°C) and dishwashers in basements below sewer level or in connection with the renovation or modernisation of existing buildings, where the location may be remote from the main soil pipe so that a natural slope cannot be established.</li></ul> <p>Sololift2 C-3 is suitable for installation under a washbasin or particularly for confined space conditions in prewall constructions and built-in cabinets. Extremely low switching levels for lowest construction heights, advantageously in case of connection of a shower receptor.</p> <p>The compact lifting station is equipped with</p> <ul style="list-style-type: none"><li>- Cable with or without plug (see technical data)</li><li>- Horizontal or vertical fastening possibility of discharge hose connector with several adaptors for pipes with Ø22-40mm</li><li>- Integrated non return valve</li><li>- Dry and high performance motor unit incl. thermal protection, level switch and controller</li><li>- Flexible connectors for inlet (adjustable in height) of pipes Ø36 or 40</li><li>- Manual anti clogging function and separate drain connection for service</li><li>- Venting valve with overflow protection</li><li>- Uplift fixation clips</li></ul> <p>Design according to EN12050-2 and production inspection by external institute with unique features focused on quick installation, long lasting operation and easy clean service.</p> <p>Note: The discharge adaptor can be mounted vertical or horizontal. Vertical installation increase the flow (s. databooklet and curves)</p> <p>Teko ina:</p> <p>Maks. temp. medija: 75(90) °C</p> <p>Specifi na teža: 998.2 kg/m<sup>3</sup></p> <p><b>Tehni ni podatki:</b></p> <p>Odobritve na napisni tablici: CE,TR,LGA,VDEEMV,VDE</p> <p>Toleranca krivulje: ISO9906:2012 3B</p> <p><b>Materiali:</b></p> <p>Posoda: PLASTIC</p>

Pozicija	Kol.	Opis
		<p><b>Montaža:</b> Sesalni priključki: 32/36/40, 36/40/50 Tla ni priključki: 22/25/28/32/36/40 Št. vodnikov: 3X0,75MM2</p> <p><b>Električni podatki:</b> Vhodna moč - P1: 640 W Omrežna frekvenca: 50 Hz Nominalna napetost: 1 x 220-240 V Nominalni tok: 3.1 A Cos phi - faktor moči: 0,9 Nominalna hitrost: 2800 rpm Razred zaščite (IEC 34-5): IP44 Izolacijski razred (IEC 85): F Dolžina kabla: 1.2 m Tip kabla: H05VV-F Tip kablanskega priključka: without</p> <p><b>Drugo:</b> Neto teža: 6.53 kg Bruto teža: 8.8 kg</p>

## 97775332 SOLOLIFT2 C-3 50 Hz



Opozorilo! Vse enote so v [mm], razen če je navedeno.  
To poenostavljeno dimenzioniranje ne kaže vseh detajlov.