



Description

Ball valve with female-female connections. For plumbing, gas and liquid hydrocarbon systems. Chrome-plated brass. Full port (except valve with size 2 1/2", 3", 4" standard port). Steel lever handle (red or yellow).

Versions and product code

Product code	Size	Use	Handle color
R850X021	1/4"	Plumbing systems	Red
R850X022	3/8"		
R850X023	1/2"		
R850X024	3/4"		
R850X025	1"		
R850X026	1 1/4"		
R850X027	1 1/2"		
R850X028	2"		
R850X029	2 1/2"		
R850X030	3"		
R850X031	4"	Gas and liquid hydrocarbons systems	Yellow
R850X001	1/4"		
R850X002	3/8"		
R850X003	1/2"		
R850X004	3/4"		
R850X005	1"		
R850X006	1 1/4"		
R850X007	1 1/2"		
R850X008	2"		
R850X009	2 1/2"		
R850X010	3"		
R850X011	4"		

Technical data

Main features and materials

- Suitable for plumbing, gas and liquid hydrocarbon systems.
- Connections: F x F (ISO 228).
- Full port from size 1/4" to 2" / Standard port from size 2 1/2" to 4".
- UNI EN 12165 CW617N chrome-plated brass valve.
- Stem with double O-Ring.
- Nut with anti-corrosion coating, with guarantee seal and hologram.
- Steel lever handle (red for water use; yellow for gas use), with pvc anti-corrosion coating.

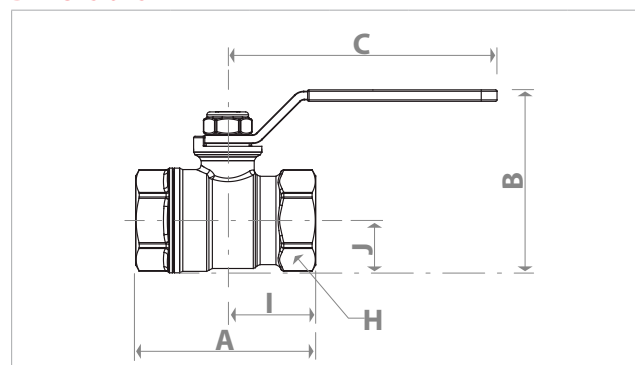
Field of applications

- Max. working pressure at 20 °C with water and not dangerous gas:
3,5 MPa (35 bar) for 1/4" - 3/8" - 1/2" - 3/4"
2,8 MPa (28 bar) for 1" - 1 1/4" - 1 1/2" - 2" - 2 1/2" - 3" - 4"
- Minimum working temperature: -20 °C with 50 % glycol solutions
- Max. working pressure at 20 °C with liquid hydrocarbon: 1,2 MPa (12 bar)
- Max. operating pressure (MOP) with gas: 0,5 MPa (5 bar)
- Max. working conditions with dry saturated steam:
185 °C with 1,05 MPa (10,5 bar)

Valves Kv

Size	Kv	Size	Kv
1/4"	6,6	1 1/2"	140
3/8"	6,7	2"	211
1/2"	12,7	2 1/2"	240
3/4"	24,6	3"	269
1"	48,5	4"	461
1 1/4"	98,0		

Dimensions



Size	DN	A [mm]	I [mm]	B [mm]	J [mm]	C [mm]	H [mm]
1/4"	8	43	21	36	10	43	17
3/8"	10	46	23	45	13	77	20
1/2"	15	53	27	51	16	77	25
3/4"	20	60	30	67	20	95	31
1"	25	74	37	76	25	95	38
1 1/4"	32	84	42	85	29	95	47
1 1/2"	40	95	47	104	35	137	54
2"	50	109	54	120	43	137	66
2 1/2"	58	146	73	154	52	173	82
3"	68	160	80	169	60	173	98
4"	90	207	104	207	77	187	122

Product specifications

R850

Ball valve with female-female connections. For plumbing, gas and liquid hydrocarbon systems. UNI EN 12165 CW617N chrome-plated brass. Full port from size 1/4" to 2"; standard port from size 2 1/2" to 4". Steel lever handle (red for water use; yellow for gas use), with pvc anti-corrosion coating. Stem with double O-Ring. Nut with anti-corrosion coating, with guarantee seal and hologram. Max. working pressure at 20 °C with water and not dangerous gas: 3,5 MPa (35 bar) for 1/4" - 3/8" - 1/2" - 3/4"; 2,8 MPa (28 bar) for 1" - 1 1/4" - 1 1/2" - 2" - 2 1/2" - 3" - 4". Minimum working temperature: -20 °C with 50 % glycol solutions. Max. working pressure at 20 °C with liquid hydrocarbon: 1,2 MPa (12 bar). Max. operating pressure (MOP) with gas: 0,5 MPa (5 bar). Max. working conditions with dry saturated steam: 185 °C with 1,05 MPa (10,5 bar).

BALL VALVES

0628EN February 2017

FULL PORT OR STANDARD PORT BALL VALVE.
FOR PLUMBING, GAS AND LIQUID HYDROCARBON SYSTEMS.
R850 SERIES



GIACOMINI
WATER E-MOTION



Additional information

For additional information please check the website www.giacomini.com or contact the technical service: ☎ +39 0322 923372 📠 +39 0322 923255 ✉ consulenza.prodotti@giacomini.com
This pamphlet is merely for information purposes. Giacomini S.p.A. retains the right to make modifications for technical or commercial reasons, without prior notice, to the items described in this pamphlet. The information described in this technical pamphlet does not exempt the user from following carefully the existing regulations and norms on good workmanship.
Giacomini S.p.A. Via per Alzo, 39 - 28017 San Maurizio d'Opaglio (NO) Italy